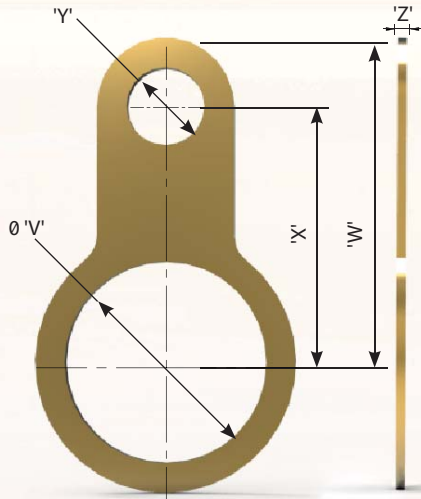
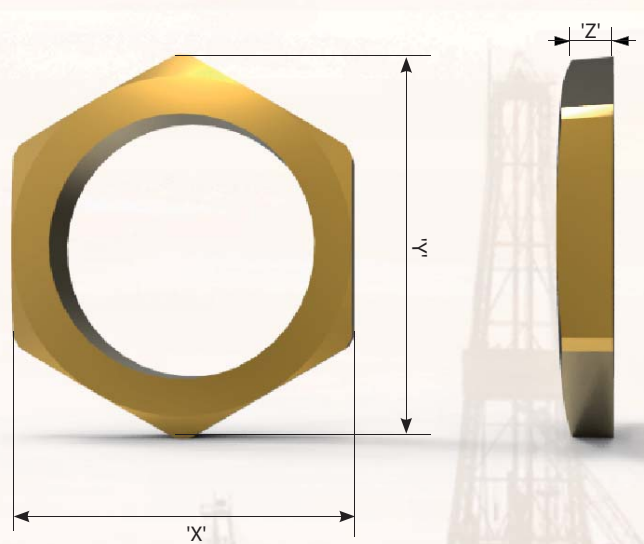


## Earthtags



## Locknuts



### General Information

- Provides an earth bond attachment for a cable gland.
- Manufactured in Brass as standard.
- Stainless Steel earthtags are available, but the dimensions may differ slightly to those stated in the selection table. Please contact the Hawke Sales Team for details.
- The earthtag shape may vary for different sizes.

### General Information

- For use on cable gland entry threads.
- Manufactured in Brass as standard.
- Stainless Steel locknuts are also available, but dimensions may differ from the ones in the table.
- Locknuts for PG thread sizes are available.

Note: All dimensions are in millimetres.

SELECTION TABLE

Gland Size 'V'	'Y'	'W'	'X'	'Z'
M20	6.75	39.6	33.1	1.5
M25	6.85	45.5	36.5	1.5
M32	12.6	52.0	40.9	1.5
M40	13.4	59.6	44.2	1.5
M50	13.5	78.9	58.1	1.5
M63	13.5	87.6	66.8	1.5
M75	13.5	93.7	72.9	1.5
M80	14.0	128.0	104.0	1.5
M90	14.0	128.0	104.0	1.5
M100	14.0	128.0	104.0	2.0
M110	13.5	136.0	115.0	2.0
M115	13.5	141.0	120.0	2.0
M120	13.5	143.5	122.5	2.0
M130	13.5	153.0	128.0	2.0

### Ordering Examples:

Product	Thread Size	Material	Finish
Earthtag	M25	Brass	N/A

Note: All dimensions are in millimetres except where \* denotes dimensions in inches.

SELECTION TABLE

Gland Size	Across Flats 'X'	Across Corners 'Y'	'Z'	NPT* Gland Size	Across Flats 'X'	Across Corners 'Y'	'Z'
M16	22.0	24.0	3.7/4.7	—	—	—	—
M20	24.0	26.4	3.7/4.7	½"	27.0	29.7	3.0/4.0
M25	30.0	33.3	3.7/4.7	¾"	30.5	33.5	3.7 / 4.7
M32	40.0	44.0	3.7/4.7	1"	36.0	39.5	6.0/7.0
M40	46.0	50.5	4.5/5.5	1 ¼"	46.0	50.5	6.0/7.0
M50	65.0	71.5	4.5/5.5	1 ½"	55.0	60.6	6.0/7.0
M63	80.0	88.0	6.0/7.0	2"	65.0	70.8	6.0/7.0
M75	90.0	99.0	6.5/7.5	2 ½"	80.0	90.0	6.0/7.0
M80	107.0	122.2	9.5/10.5	3"	95.0	107.0	6.0/7.0
M90	107.0	122.2	9.5/10.5	3 ½"	128.0	143.0	8.5/9.5
M100	128.0	147.0	9.5/10.5	4"	128.0	143.0	8.5/9.5
M110	128.0	147.0	9.5/10.5	5"	170.0	187.0	9.5/10.5
M115	128.0	147.0	9.5/10.5	6"	200.0	220.0	9.5/10.5
M120	140.0	152.0	9.5/10.5	---	---	---	---
M130	150.0	165.0	9.5/10.5	---	---	---	---

### Ordering Examples:

Product	Thread Size	Material	Product	Thread Size	Material
Locknut	M25	Brass	Locknut	1" NPT	Brass